

*Eutaw Forest Archers*  
**45<sup>th</sup> ANNUAL**  
**GOLD CUP**  
 Archery Tournament

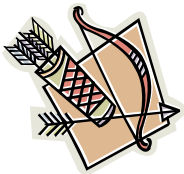


June 5<sup>th</sup> & 6<sup>th</sup>, 2010

*Saturday*  
*Music*  
*Fun*

Two 14 Target NFAA Field Courses and 3-D Course

Food, Free Vendor Set-up, Plenty of On-Site Parking and Camping.



*Casual – Multiple Registrations*



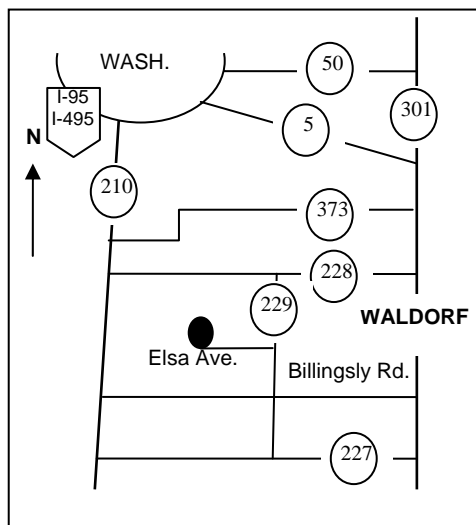
SCHEDULE		
Date	Registration	Event
Saturday	9:00AM - 2:00PM	14 Field & 14 Hunter, 14 3-D
Sunday	9:00AM - Noon	14 Field & 14 Hunter, 14 3-D

*Located off Rt. 229*  
*Waldorf, Maryland*

**Eutaw Forest Archers**  
**Annual Gold Cup**  
 3550 Elsa Avenue  
 Waldorf, MD 20603

**For more information contact:**

*President*  
**Ken Thompson**  
**240-475-0995**



**From VA**, cross Woodrow Wilson Bridge to MD Rt. 210 South. Proceed 10 miles and turn left onto Rt. 228 East. Go approximately 1.5 miles to 3rd traffic light. Turn right onto Rt. 229. Go approximately 3.3 miles and turn right onto Elsa Ave. Go .6 miles to dirt road/club on the right.

**From MD**, take Rt. 301 South to Waldorf to Rt. 228 West. Turn Right on Rt. 228 West approximately 6.4 miles and turn left onto Rt. 229. Go approximately 3.3 miles and turn right onto Elsa Ave. Go .6 miles to dirt road/club on the right.